

## Product datasheet

# KREBS® New and improved TG knife gate valves

We understand the importance of minimising time spent on valve maintenance. When a valve goes out of operation, a replacement needs to be ready for quick swapping. Otherwise you will see an increase in cost from downtime.

We've optimized the way we supply valves. The newly redesigned TG series valves and existing TGW valves can be purchased and stocked in pre-assembled kits. These kits consist of all the required components needed to quickly assemble the valve. Kits will provide simplicity to the stocking process and make actuator conversions a breeze.

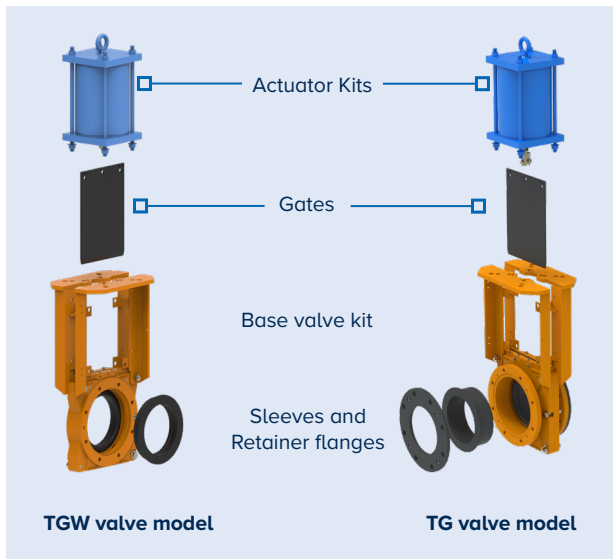
We have also improved flexibility in stocking by making parts interchangeable between our TG and TGW knife gate slurry valve series. The actuator kit, dust boot kit, wiper blade kit and gate are interchangeable for sizes 2in (50mm) to 24in (600mm). This means reduced inventory and faster rebuilds.

### Key benefits:

- Upgraded design makes maintenance a breeze
- Interchangeable parts for reduced inventory
- Rebuilds are fast and easy with preassembled kits
- End of line service
- No downstream leakage

# Pre-assembled kits and interchangeable parts allow for faster rebuilds

Reduce lost time on valve replacements

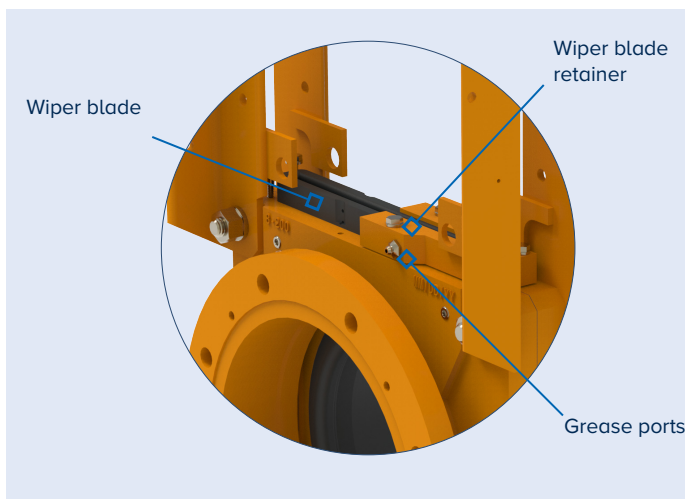


## New features of TG valves

- Larger grease ports with easier connection
- Wiper blades included with base valve
- Higher pressure ratings
- New flushing ports provide additional access points into the housing cavity, allowing for improved maintenance and easy cleaning of the valve

All upgraded features serve to increase the ease of maintenance when working with our valves.

Currently all parts excluding the valve housing and replaceable wear sleeves are interchangeable for sizes from 2in (50mm) to 24in (600mm). Keep spare valves on site so replacements can be swift and painless.



## Our new and improved wiper blade

is made of a high-hardness EPDM rubber. It cleans material off the gate while at the same time minimising the unwanted slurry discharge during actuation.

## Service centers

Our service centers can also perform valve rebuilds to save you maintenance time. Contact your local agent or sales office for more details on our KREBS® TG valve series.

**FLSmidth A/S**  
2500 Valby  
Denmark  
Tel. +45 3618 1000  
info@flsmidth.com

[www.flsmidth.com](http://www.flsmidth.com)

**FLSmidth Inc.**  
Tucson Operations  
Tucson, AZ 85743  
USA  
Tel + 1 520-744-8200  
krebs@flsmidth.com

Copyright © 2024 FLSmidth A/S. All Rights Reserved. FLSmidth and FLS are (registered) trademarks of FLSmidth A/S. This brochure makes no offers, representations or warranties of any kind (express or implied), and information and data contained in this brochure are for general reference only and may change at any time. FLSmidth does not guarantee or make any representation regarding the use or the results of the information or the data provided in the brochure in terms of its correctness, accuracy, reliability or otherwise, and shall not be liable for any loss or damage of any kind incurred as a result of the use of the information or data provided in the brochure.