



Product datasheet

Gyrotory crusher tooling Headnut & safety tool upgrade

We answered our customers concerns about safety and maintenance by providing an upgrade solution that not only gives the safety they were looking for but also improves crusher reliability and reduces downtime.

Because your safety is our top priority

The industry standard method for tightening and loosening the gyrotory crusher headnut is outdated. Without a safety upgrade, the task puts maintenance and operations personnel at risk.

Our headnut and safety tool system improves the safety and performance of your crusher maintenance without sacrificing reliability.

Benefits

- Improves safety
- Improves reliability
- Improves overall assembly process
- Easy installation

A simple upgrade to improve safety and equipment reliability

Problems with traditional design

Mainshaft maintenance for a gyratory crusher has traditionally been a safety hazard during maintenance and introduced risk to plant operation.

The traditional design requires manual slugging and field welding, and personnel must be wary of inconsistent tightness and loose dowel pins to name a few of the common problems.

Upgrade Solution

We combined proven technology and innovation to create a design that eliminates your safety concerns while at the same time making maintenance easier.

Improved design and reliability

- Reliable and consistent headnut tightening with impact hammer
- Field welding of dowel pins eliminated, reducing risk of looseness during operation
- In the event of a weld failure, piloted filler ring maintains location on headnut until repair can be performed

Improved safety

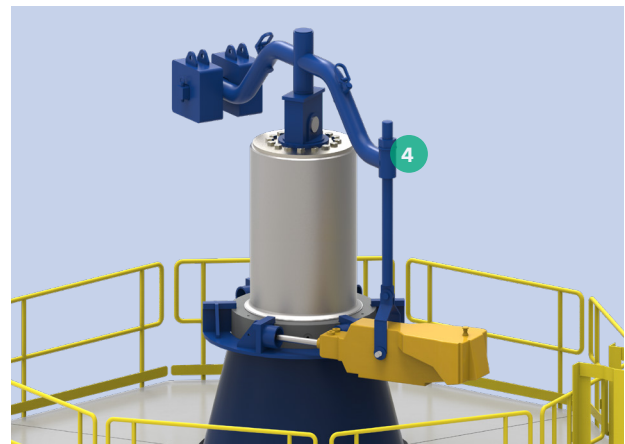
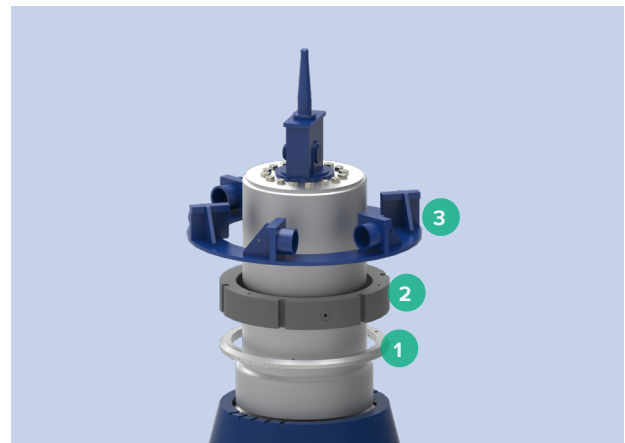
- Reversible striking socket eliminates field welding of striking tabs to the headnut during installation and removal
- Improves lifting hardware position
- Integration of recoilless hammer replaces antiquated manual slugging with a safer method

Upgrade package

- Headnut
- Filler ring
- Striking socket
- Tightening arm & shaft adapter
- THUNDERBOLT Recoilless Hammer

Assembly procedure (pictured below)

1. Install filler ring
2. Install headnut
3. Install striking socket
4. Install tightening arm & hammer
5. Tighten headnut and weld filler ring together



FLSmidth A/S
2500 Valby
Denmark
Tel. +45 3618 1000
info@flsmidth.com

www.flsmidth.com

FLSmidth Inc.
Salt Lake City Operations
Midvale, UT 84047
USA
Tel. +1 801 871 7000
info.sl.c@flsmidth.com

Copyright © 2023 FLSmidth A/S.
All Rights Reserved. FLSmidth and FLS are (registered) trademarks of FLSmidth A/S. This brochure makes no offers, representations or warranties (express or implied), and information and data contained in this brochure are for general reference only and may change at any time.