

Product datasheet

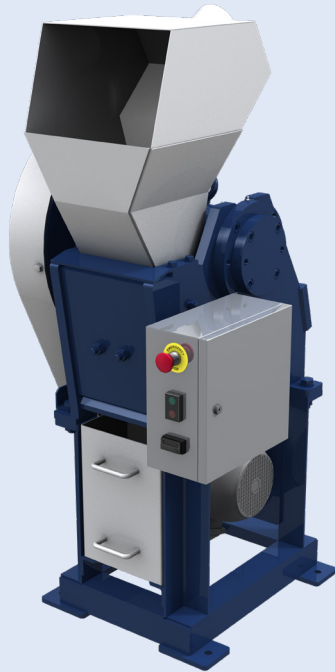
Essa® JC2000 Jaw Crusher

A “workhorse” engineered to be the industry standard crusher for the geochemistry laboratory, the Essa® Model JC2000 Jaw Crusher is robust and dependable.

Benefits

- Dependable and hard-wearing jaw crusher for a variety of laboratory environments.
- **Reduced capital cost:** flexibility of use allows for continuous or batch use in laboratory, field and plant applications.
- **High-level motor protection:** IP65-rated electric motor is totally protected against dust ingress and low pressure water jets from any direction.
- **Ready to go:** fitted with control box featuring simple stop/start button and motor protection.
- **Exploration and grade control sample crushing:** 200 mm x 150mm jaw opening accepts large input feed size up to 110 mm, suitable for a variety of drill core, rock and chip and grab samples.
- **Increased productivity:** very good reduction ratio, with 6 mm product size.
- **High throughput:** rapid and powerful crushing at 500 kg/h.
- **Improved safety:** full drive guarding complies with occupational health and safety standards.

Strong, cost-efficient and user-friendly



A reliable performer over 25 years

The heavy-duty Essa® JC2000 has proven capabilities in exploration and grade control primary sample crushing across the minerals and mining industries. Customers appreciate its flexibility which allows for continuous or batch use in laboratory, field and plant applications. The jaw inlet of 200 mm x 150 mm can handle samples up to 110 mm and is suitable for drill core, rock chip and grab samples, while it performs rapid and powerful crushing at 500 kg/h throughput. The standard machine's footprint is 510 mm x 580 mm.

Flexibility and strength

Highly regarded for its flexibility, the general purpose Essa® JC2000 Jaw Crusher has two installation options. It is available in an upright, stand-alone configuration or a low-profile bench-mountable version which can easily be configured to operate in a sampling station or pilot plant application. Good control of product sizing is facilitated by the uncomplicated jaw gap adjustment, which also has the added benefit of minimising maintenance downtime. The jaw plates are made from hard-wearing manganese steel, further reducing sample contamination.

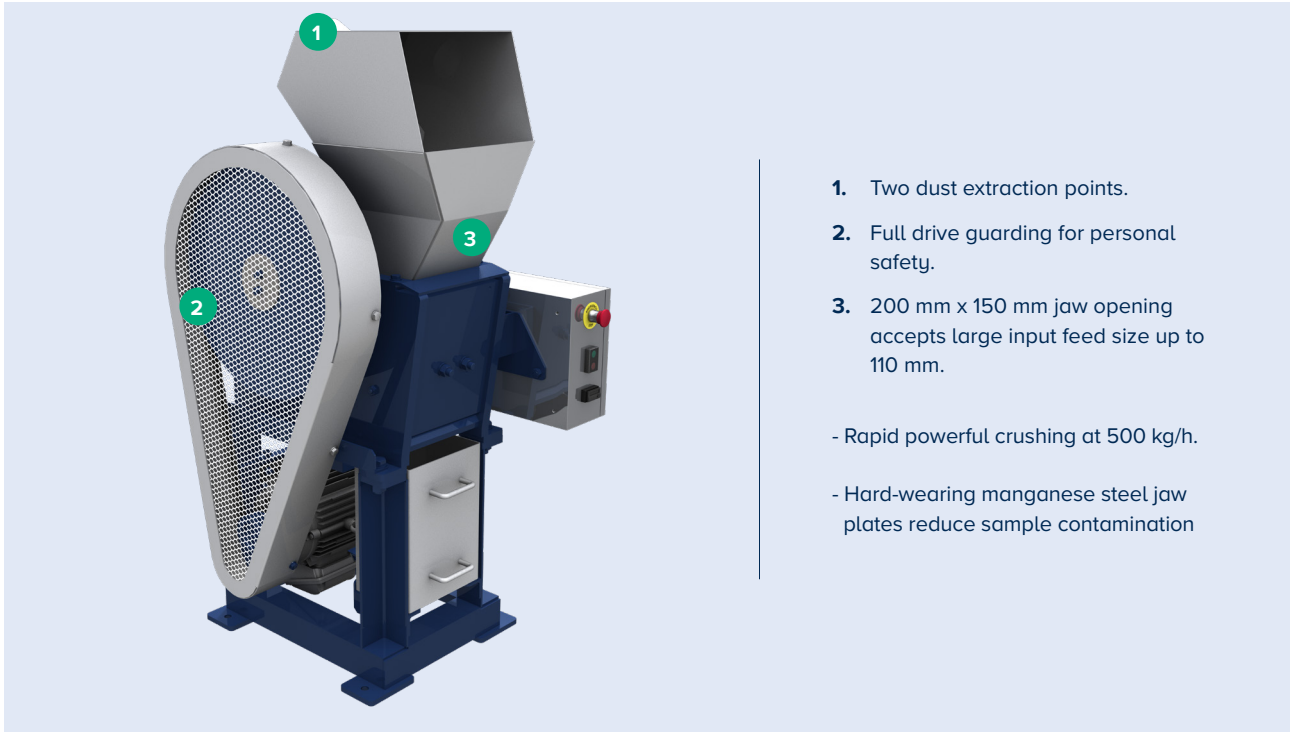
High productivity and low maintenance costs

The cost-efficient JC2000 represents excellent value with its rapid and powerful crushing processes. The mechanically simple single toggle design is reliable and easy to maintain and repair. This feature also results in increased availability of the machine. The hard-wearing manganese steel jaw plates are interchangeable reducing both contamination levels and operating costs. Its flexibility of use across many applications means reduced capital cost.

Improved operator ergonomics and work environment

The Essa® Model JC2000 Jaw Crusher's full drive guarding ensures personal safety while also complying with occupational health and safety standards. A feed hopper and easily accessible heavy duty stainless steel sample drawer mean ergonomically improved operator conditions, while two dust extraction points remove airborne dust at the feed hopper and sample drawer, aiding the quality of the operating environment and reducing sample contamination.

Industry-accepted crusher for geochemical sample preparation



1. Two dust extraction points.
2. Full drive guarding for personal safety.
3. 200 mm x 150 mm jaw opening accepts large input feed size up to 110 mm.

- Rapid powerful crushing at 500 kg/h.

- Hard-wearing manganese steel jaw plates reduce sample contamination

Specifications

Jaw inlet	200 mm x 150 mm
Maximum feed size	110 mm
Usual product size	6 mm
Maximum product size	35 mm
Throughput at usual product size	500 kg/h
Dust extraction points	Two
Dust extraction flow	240 L/s
Electrical requirements (3 phase)	4 kW

Upright version

Mass	480 kg
Dimensions (length x width x height)	807 mm x 684 mm x 1437 mm
Shipping mass (approximate)	575 kg
Shipping dimensions (approximate)	1100 mm x 950 mm x 1610 mm

Low-profile version

Mass	470 kg
Dimensions (length x width x height)	1300 mm x 689 mm x 1037 mm
Shipping mass (approximate)	575 kg
Shipping dimensions (approximate)	1500 mm x 900 mm x 1250 mm

FLSmidth A/S
2500 Valby
Denmark
Tel. +45 3618 1000
info@flsmidth.com

www.flsmidth.com

FLSmidth Inc.
Salt Lake City Operations
Midvale, UT 84047
USA
Tel. +1 801 871 7000
info.sl.c@flsmidth.com

Copyright © 2023 FLSmidth A/S.
All Rights Reserved. FLSmidth and FLS are (registered) trademarks of FLSmidth A/S. This brochure makes no offers, representations or warranties (express or implied), and information and data contained in this brochure are for general reference only and may change at any time.