

Product datasheet

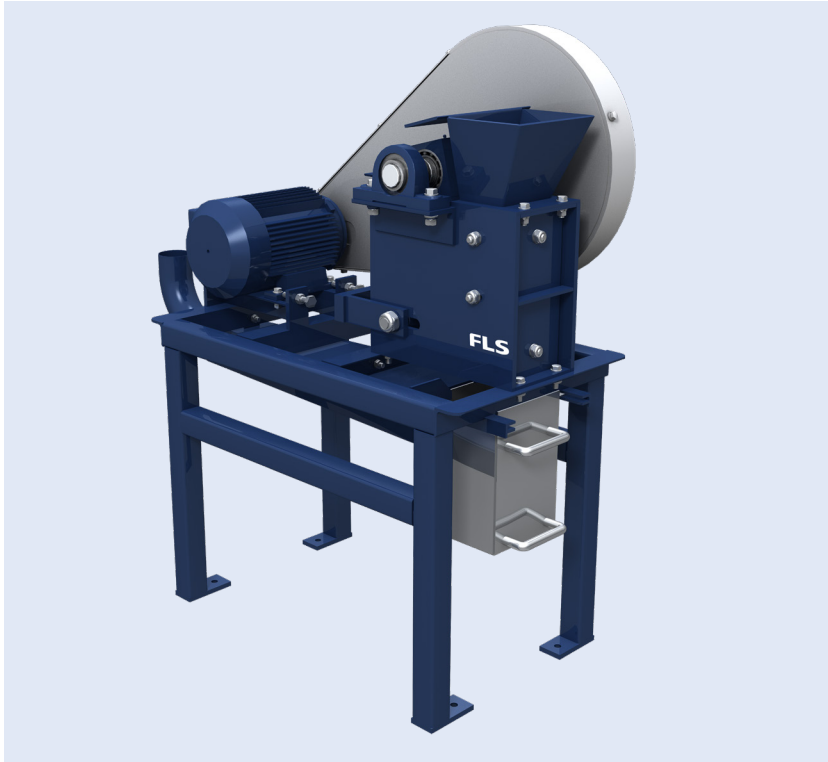
Essa® JC1000 Jaw Crusher

A trusted machine proven for over 25 years, the Essa® model JC1000 Jaw Crusher is designed for crushing smaller samples across a wide range of industries.

Benefits

- Accepts samples up to 85 mm in size with a 130 mm x 100 mm jaw opening.
- Suitable for a wide range of applications across many industries.
- Increased productivity: good reduction ratio with a 6 mm product size.
- Increased availability: designed with a mechanically simple single toggle that is reliable and easy to maintain and repair.
- Improved quality: simple jaw gap adjustment provides good control of product sizing.
- Strong and reliable: jaw plates made from hard-wearing BISALLOY® Wear steel which further reduces sample contamination.
- Safety features: a dust extraction point removes airborne dust, improving the operating environment and reducing sample contamination.
- Ready to go: fitted with control box featuring simple stop/start button and motor protection.

Entry-level proven performance and ease of use



Simple yet strong and reliable

The Essa® Jaw Crusher Model JC1000 is a simple, medium-duty crusher that accepts samples up to 85 mm in size. It is a general purpose laboratory crusher with a 130 mm x 100 mm jaw opening and is suitable for a variety of sample types. Known in the industry as a steady going and reliable machine, it is a hard-wearing compact crusher with reduced operating and spare parts costs. It comes equipped with full drive guarding which complies with occupational health and safety standards.

Increased productivity

This sturdy entry-level JC1000 Jaw Crusher suits many industries and smaller laboratories with its compact footprint of 470 mm x 750 mm. There is increased availability of the machine because the design incorporates a mechanically-simple single toggle – resulting in extra reliability and ease of maintenance and repairs. The long-life roller bearings stand up under a high-load capacity, also reducing maintenance costs and decreasing downtime. The approximate throughput at the usual 6 mm product size is 250 kg/h.

Good operator environment

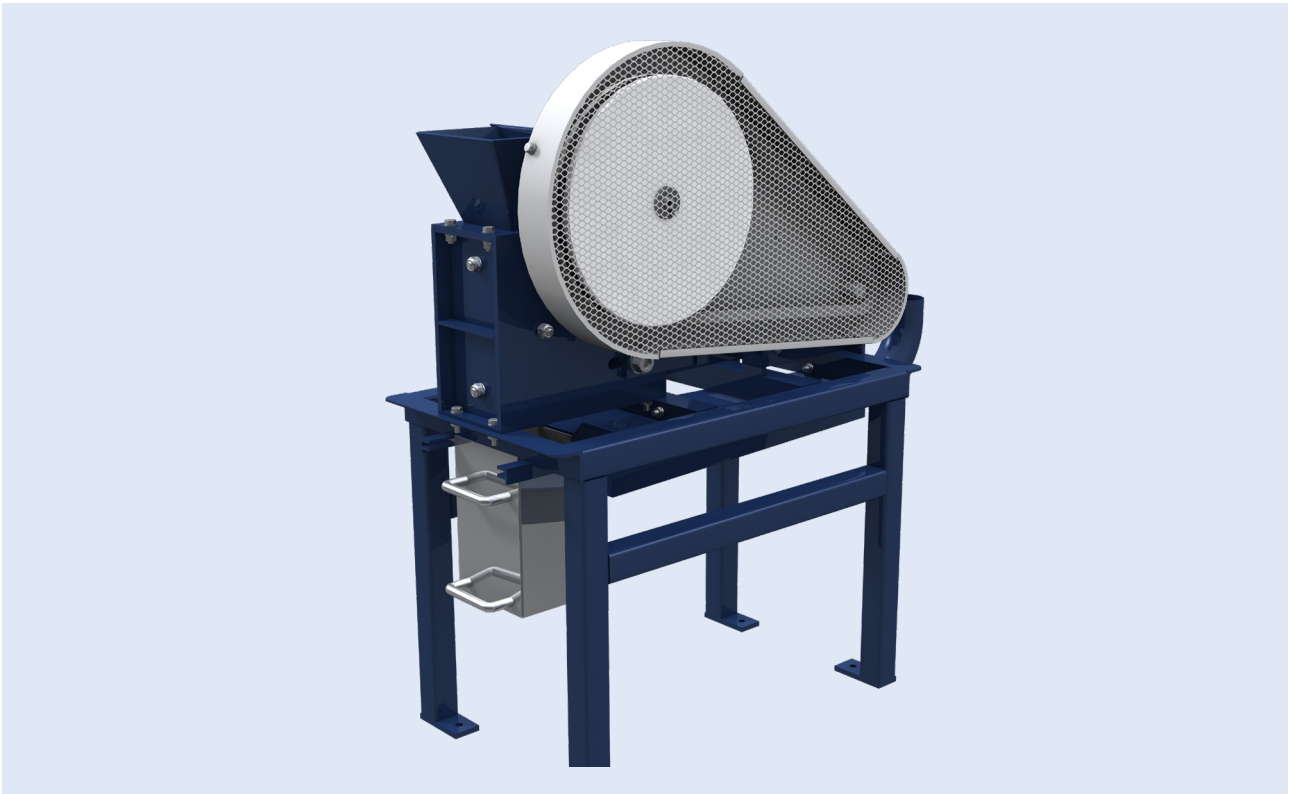
Mounted on a sturdy floor stand, the machine is fitted with a feed hopper and has an easily accessible aluminium sample drawer. The full drive guarding ensures personal safety while a dust extraction point removes airborne dust. This improves the operating environment and reduces sample contamination.

Improved quality

The Essa® Jaw Crusher Model JC1000 is a trusted and high-performing machine deserving of its reputation. Easy jaw gap adjustment provides good control of the product sizing while at the same time minimising maintenance downtime. The jaw plates are made from hard-wearing BISALLOY® Wear steel, further reducing sample contamination.

There is high-level motor protection, with the electric motor being totally protected against dust ingress and low pressure water jets from any direction.

Entry-level proven performance and ease of use



Specifications	
Jaw inlet	130 mm x 100 mm
Maximum feed size	85 mm (85% of jaw inlet)
Usual product size	6 mm
Maximum product size	25 mm
Throughput at usual product	250 kg/h
Electrical requirement (3	2.2 kW

Dust extraction points	One
Dust extraction flow	90 L/s
Mass	194 kg
Dimensions (length x width x	1253 mm x 629 mm x 1260 mm
Shipping mass (approximate)	265 kg
Shipping dimensions	1300 mm x 700 mm x 1400 mm

FLSmidth A/S
2500 Valby
Denmark
Tel. +45 3618 1000
info@flsmidth.com

www.flsmidth.com

FLSmidth Inc.
Salt Lake City Operations
Midvale, UT 84047-5559
USA
Tel. +1 801 871 7000
info.sl.c@flsmidth.com

Copyright © 2023 FLSmidth A/S.
All Rights Reserved. FLSmidth and
FLS are (registered) trademarks of
FLSmidth A/S. This brochure makes
no offers, representations or
warranties (express or implied), and
information and data contained in this
brochure are for general reference
only and may change at any time.