

## Product datasheet

# Jaw Crusher EB 16-12 Pro

The new benchmark for crushing ore and hard rock up to 1,200 tph

Our latest generation of jaw crushers is compact and robust. We've drawn on more than one hundred years of experience, ongoing research and development and the application of new calculation methods from bionics, to create a crusher that is particularly maintenance-friendly thanks to its specially designed inlet hood. The EB Pro series is ideally suited for use in both underground and opencast applications, when processing medium-hard to hard ore and rock.

### Easy maintenance

#### Modular crusher housing

The bolted, modular crusher housing simplifies transport, assembly and maintenance. The patented screw connections allow for easy and sustainable service work.

### Durable main components

Essential main components such as housing parts and swing jaw have been designed using new methods from bionics. The patented solution of the swing jaw and front wall increases their service life and improves the absorption of load peaks during the crushing process.

### Maintenance-optimised wear elements

All wear elements are optimised for fast and easy maintenance, reducing service times by up to 20%. The freely expandable crushing jaws reduce stress transfers to other components. The eccentric shaft bearing arrangement is robust and easy to maintain. All bearings can be easily installed and removed using sleeves.

## Efficient crushing

### High throughput rates and service life

Optimised geometry of the crushing chamber with optimised nip angle and aggressive stroke leads to 10% higher throughput rates compared to market benchmark. More efficient utilisation of the crushing chamber results in lower and more uniform wear of the crushing tools.

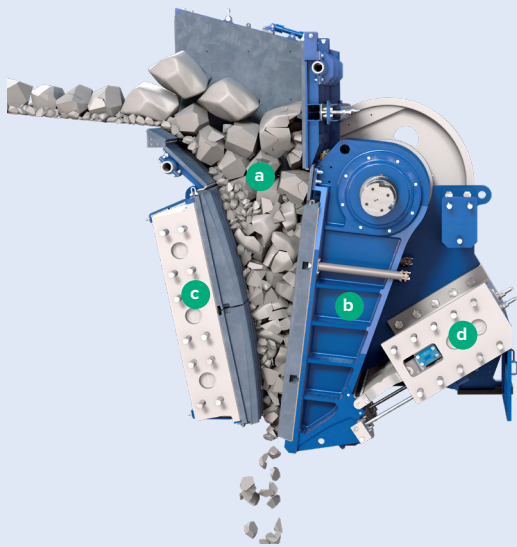
### Optimised operation

The interaction of optimum speed and generously dimensioned flywheels results in lower operating costs. At constant throughputs, power peaks and 25% lower energy cost compared to market benchmark are reduced. At the same time, load-carrying components such as bearings and wear elements are less stressed, which increases the service life and durability of the parts by more than 10%.

### Adjustment of the gap width

The standard hydraulically assisted gap adjustment can be converted to a fully hydraulic gap adjustment without much effort, resulting in a reduction of service times to a minimum.

## Operating principle



After the feed material has reached the crushing chamber (a) it is continuously crushed between the oscillating swing jaw (b) and the fixed jaw (c) until the product leaves the crushing chamber. The mechanical or fully hydraulic gap adjustment enables manual or automatic adjustment of the crushing gap as well as the discharge of tramp metal or other non-crushable components contained in the feed material (d).

## Technical specification

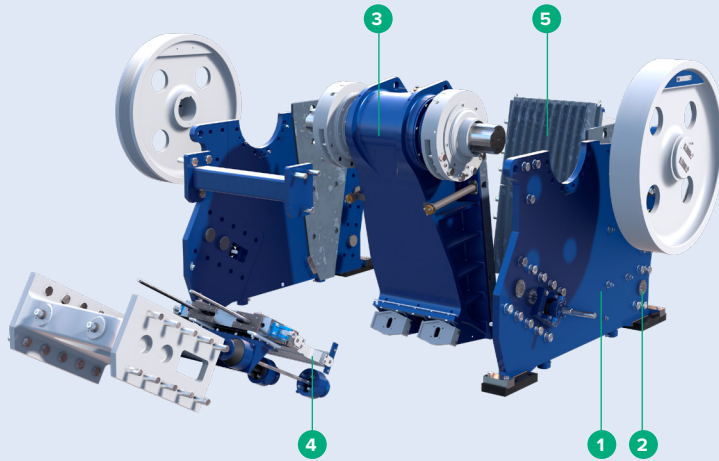
Application data	
Application	Primary crushing
Feed material	Medium hard to hard rock and ore
Capacity <sup>1</sup>	400 – 1,200 tph

Technical data	
Configuration	Single-toggle jaw crusher
Feed opening <sup>2</sup> (A x B)	1,200 mm x 1,600 mm
Crusher height – inlet	2,850 mm
Crushing jaws	One or two-piece design
Opt. crusher speed	145 – 160 rpm
Gap setting method/ Adjustment range CSS <sup>3</sup>	Hydraulic or mechanical / 100 – 220 mm
Drive concept	V-belt
Installed drive motor power <sup>4</sup>	Opt. 200 KW (up to 250KW)

Weight and dimensions	
Total weight <sup>5</sup>	Approx. 80,000 kg
Heaviest piece for erection	Swing jaw with bearings 28 t
Heaviest piece for maintenance	Jaw liner 4,5 t
Main dimensions of the crusher (L x W x H)	Approx. 4,500 mm x 3,300 mm x 4,000 mm

1. The actual throughput depends on the feed material characteristics (e.g. bulk density, hardness UCS, feed particle size distribution, moisture content), the desired product size and the selected machine settings (e.g. gap setting CSS).
2. Width A = maximum length between the crushing tools of the oscillating swing jaw and the fixed crushing jaw.
3. CSS = Closed Side Setting (gap setting). The min. CSS depends on the properties of the feed material.
4. Motor rating range applicable for < 1000 m altitude. The nominal motor power selected for the respective application depends on the feed material characteristics, desired product size, actual machine configuration and actual installation height. Due to the generously dimensioned flywheels, smaller electric motors can also be used.
5. Weights indicated do not include base frame, drive motor and tools. Weights may vary depending on the respective machine configuration.

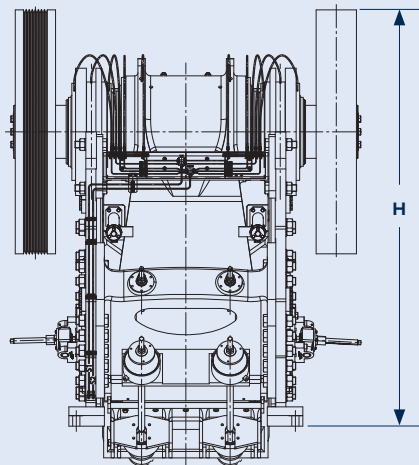
## Main components



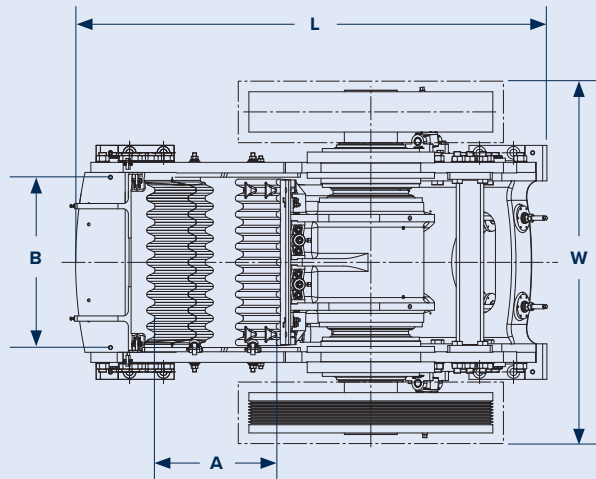
1. Modular housing
2. Patented screw connection
3. Swing jaw with bearing
4. Gap adjustment  
(Mechanical or fully hydraulic)
5. Segmented fixed jaw

## Main dimensions

Side view



Top view



A [mm]	B [mm]	H [mm]	L [mm]	W [mm]
1,200	1,600	4,000	4,500	3,300

**FLSmidth A/S**  
2500 Valby  
Denmark  
Tel. +45 3618 1000  
info@flsmidth.com

[www.flsmidth.com](http://www.flsmidth.com)

**FLSmidth Inc.**  
Salt Lake City Operations  
Midvale, UT 84047-5559  
USA  
Tel. +1 801 871 7000  
info.sl@flsmidth.com

**FLSmidth Mining  
Technologies GmbH**  
Ennigerloh Operations  
59320 Ennigerloh  
Germany  
Tel. +49 201 828 3000  
mining-technologies@flsmidth.com

Copyright © 2023 FLSmidth A/S.  
All Rights Reserved. FLSmidth and  
FLS are (registered) trademarks of  
FLSmidth A/S. This brochure makes  
no offers, representations or  
warranties (express or implied), and  
information and data contained in this  
brochure are for general reference  
only and may change at any time.